

# VA-715x Series Electric Valve Actuator

## Description

The VA-715x Series synchronous, motor-driven actuator provides incremental (Three-Wire), incremental with feedback, or proportional control of valves with up to 3/4 in. stroke in heating, ventilating, and air conditioning (HVAC) applications.

This compact, non-spring return actuator has a 90 lb (400 N) force minimum, and responds to a variety of input signals.

The VA-715x Series can be easily field mounted or ordered factory-coupled to VG7000 Series Bronze Control Valves.

## Features

- magnetic clutch provides constant output force for positive closeoff of valves, and protects the motor in stall conditions
- selectable direct and reverse action simplifies setup and installation
- durable construction provides a longer cycle life
- compact unit provides 90 lb force output, covering a wide range of applications with just one actuator
- unique yoke design enables easy field mounting to valves, reducing installation and stroke adjustment time

## Applications

The VA-715x Series Actuator is used in conjunction with VG7000 Series Valves for hot water and chilled water systems. For VG7000 Series Valve options, refer to *VG7000 Series Brass Trim Globe Valves with VA-715x Series Electric Actuators Catalog Page (LIT-1900084)* and *VG7000 Series Stainless Steel Trim Globe Valves with VA-715x Series Electric Actuators Catalog Page (LIT-1900090)*. For field mounting options, refer to *VG7000 Series Bronze Globe Valves for Assembly in the Field Catalog Page (LIT-1924005)*.



VA-715x Electric Valve Actuator

## Selection Charts

### VA-715x Series Actuators

Code Number	Description
VA-7150-1001	Three-Wire Incremental
VA-7153-1001	Three-Wire Incremental with Position Feedback
VA-7152-1001	Proportional, 0 to 10 VDC

### Accessories for VA-715x Series

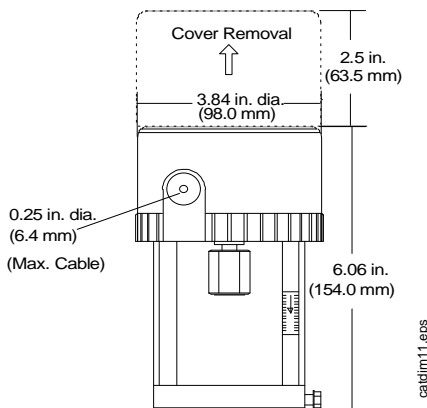
Code Number	Description
V-9999-670	Bonnet Adaptor (Used for Field Mounting to VT Series Valve Body with Threaded Stem)
Y20EBE-2	Adaptor Kit (Used for Field Mounting to VT Series Valve Body with Slotted Stem)
VA-7150-1900	Conduit Adaptor Kit
V-9999-HW1	Mounting Kit to Mount VA-715x or VA-720x Series Electric Actuators to Honeywell® V75011A, F, G, 1/2 Through 3 in. Single-Seated and V5013F Three-Way Valves
V-9999-BC1	Mounting Kit to Mount VA-715x or VA-720x Series Electric Actuators to Barber-Colman® 1/2 Through 1-1/4 in. VB-9xxx Valve Bodies

## Repair Information

If the VA-715x Series Actuator fails to operate within its specifications, replace the unit. For a replacement actuator, contact the nearest Johnson Controls® representative.

## Technical Specifications

VA-715x Series Electric Valve Actuator	
<b>Power Requirements</b>	24 VAC (20 to 30 VAC), 50/60 Hz
<b>Input Signal</b>	Incremental: 24 VAC, 50/60 Hz Incremental with Position Feedback: 24 VAC, 50/60 Hz Proportional: 0 to 10 VDC
<b>Input Signal Adjustments (Proportional)</b>	Input Signal: 0 to 5, 5 to 10, 0 to 10 VDC (Jumper Selectable) Action: Drive Up (RA) or Drive Down (DA) on Signal Increase (Jumper Selectable) Factory Setting: 0 to 10 VDC Over 3/4 in. (19 mm) Stroke, DA
<b>Input Impedance (Proportional)</b>	100,000 Ohms
<b>Feedback Signal</b>	Proportional: 0 to 2000 Ohm ±25%, 1/4 Watt, Over 25/32 in. (20 mm) Stroke
<b>Mechanical Output</b>	90 lb Force (400 N) Minimum
<b>Stroke Range</b>	5/16 to 25/32 in. (8 to 20 mm)
<b>Nominal Stroke Timing</b>	50 Hz: 85 Seconds 5/16 in. (8 mm) Stroke 135 Seconds 1/2 in. (13 mm) Stroke 200 Seconds 3/4 in. (19 mm) Stroke 60 Hz: 70 Seconds 5/16 in. (8 mm) Stroke 110 Seconds 1/2 in. (13 mm) Stroke 165 Seconds 3/4 in. (19 mm) Stroke
<b>Media Temperature</b>	280°F (138°C) Maximum
<b>Electrical Connection</b>	Screw Terminals for 16 AWG Maximum
<b>Mechanical Connection</b>	For 1/4 - 28 UNF Valve Stem
<b>Enclosure</b>	NEMA 2, IP42
<b>Ambient Conditions</b>	Operating: 0 to 140°F (-18 to 60°C); 10 to 90% RH Non-Condensing 86°F (30°C) Maximum Dew Point Storage: -4 to 150°F (-20 to 65°C); 5 to 90% RH, 86°F (30°C) Maximum Dew Point
<b>Agency Listings</b>	UL 873 Listed, File E27734 CSA C22.2 No. 139 Certified, File LR85083



Dimensions in. (mm)